

LCD Projector Lens
Model No. LENS-003, LENS-004, LENS-005, LENS-006
Installation Procedure

Notes on Lens Installation

Lens installation should be performed by qualified service personnel.
This procedure should be followed precisely.
Before attempting to install the lens, confirm the model number (both the LDC projector and the lens) and use the proper lens.
If you have any questions, contact your dealer.

Parts List

Following parts are contained in the package.

- Lens 1 piece
- Lens Mounting Screws 6 screws (2 for spare)
- Driver 1 piece
- Light-Block Sheet 1 sheet

Following checks and confirmations should be taken for safety.

Check the following issues while reassembling the cabinet after installing the lens.

1. Confirm the lens is securely fixed by 4 screws.
2. Wiring must not be tangled in the gear of the lens motor or any other mechanical parts.
3. There are no missing parts, or loose mounting parts.

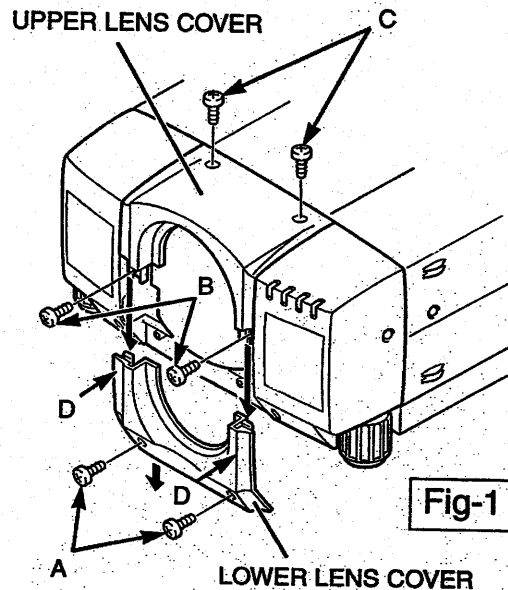
LENS INSTALLATION PROCEDURE

Perform the steps **1** to **4** for lens installation.

1 REMOVE THE LENS COVER. (See figure-1.)

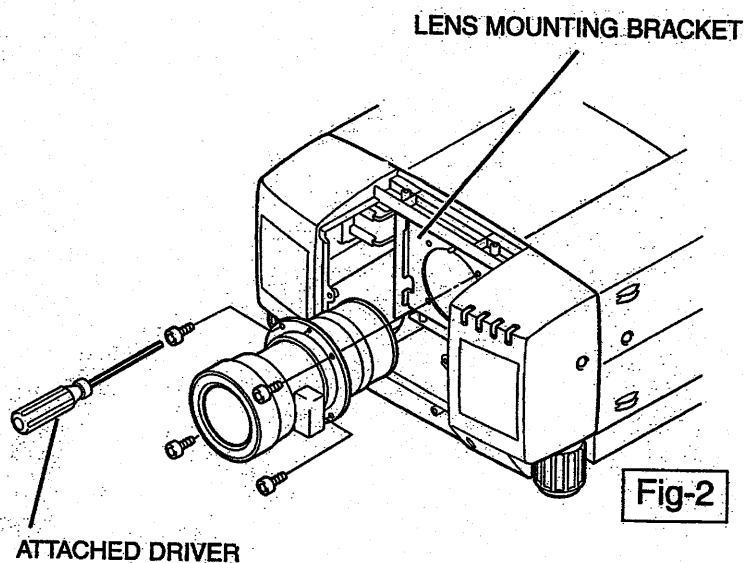
1. Remove screws A (2 screws).
2. Pull down the lower lens cover while pushing the part D, then remove it.
3. Remove screws B (2 screws).
4. Remove screws C (2 screws) and remove upper lens cover.

Save the removed lens cover and screws for another type lens use.(MODEL NO. PLC-LNS02, PLC-LNS03)



2 MOUNT THE LENS. (See figure-2.)

1. Remove protective cap on the lens.
2. Mount the lens on mounting bracket of the main cabinet with 4 screws. (Mount the lens so that the motor should be placed as shown in the figure.) Use the driver included with the lens to fasten the screws. (After using, save it for latter use.)

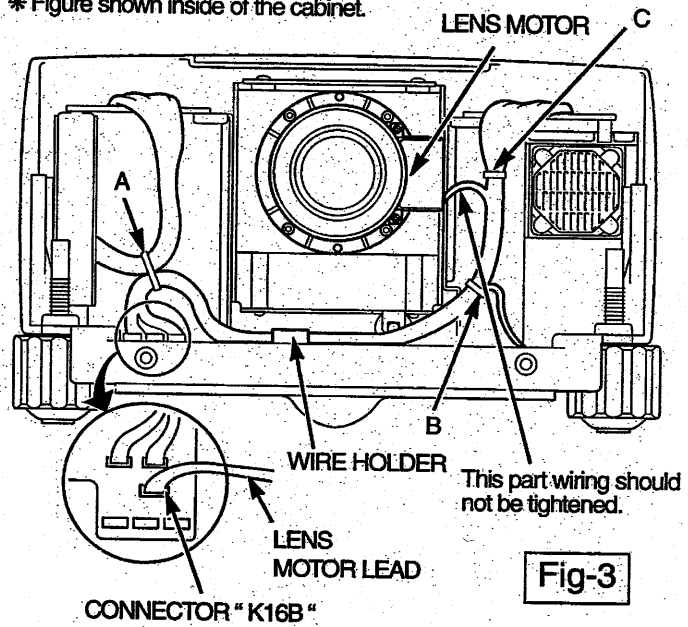


3 CONNECT THE LENS MOTOR LEAD. (See figure-3.)

1. Connect the lens motor lead to the connector "K16B" of the circuit board.

2. Tighten lens motor lead with wire band at A, B and wire holder.

* Figure shown inside of the cabinet.



4 MOUNT THE LENS COVER. (See figure-4)

Mount the lens cover included with the lens by 4 screws.

